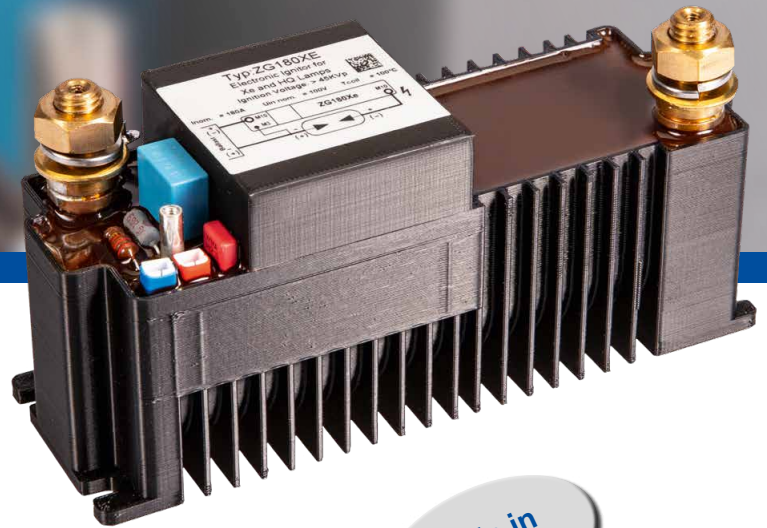


DATA SHEET



Made in
Germany

ZG 180 XE

Igniter for low voltage DC-lamps with Lamp-Current up to 180A.

Features

- Unique drive system: needs no more external power source, self synchronisation with ballast
- Igniter for DC-Xenon and DC-Hg discharge lamps operated by electronic ballasts
- Suitable for low voltage and high current DC Lamps.
Operates between 85 V and max. 200 V DC ballast open circuit voltage
- Nominal Current of up to 180 A with natural convection
- Maximum Current of 250 A with additional fan cooling
- Compliant to RoHS-directive 2002/95/EC
- Self stopping operation (< 1 sec)
- DC-Impedance of about 650 $\mu\Omega$
- DC-power loss of about 6 W @ 100 Amps, 21W @ 180 Amps
- DC-Power loss of 37 W @ 250 Amps (with forced air)
- Cathode or Anode operation to Ground/PE with same type

Please read this information carefully,
before installing and operating the ignitor!

ZG 180 XE

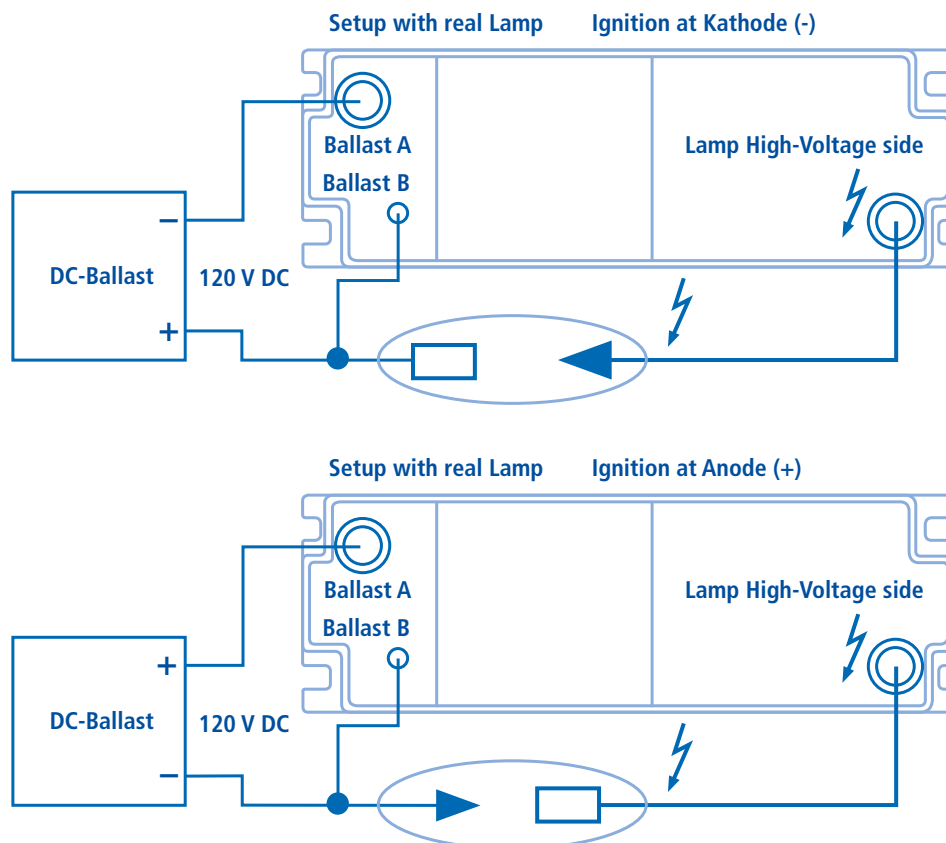
TECHNICAL DATA

Rated current	180 A, add cooling, depends on ambient temperature
Temporary over current < 2 min for lamp run up	300 A
Ignition voltage	Min. 45 kVp (50 KV - 65 KV)
Input voltage range	DC 85 V - 250 V / threshold for ignition > 85 V
Operation mode	Asymmetrical: Cathode or Anode grounding
Ignition mode control	Self stopping igniter < 1 sec./self sourcing by ballast, no external source necessary
Number of Pulses	Approximately 80 per attempt
Repetition rate	Depends on ballast, break of min. 10 sec. is required
Operating temperature	100°C/115°C max. @ Ignition coil TP 1 / 85 °C @ TP 2
Cable length	HV to lamp 50 cm max., for hot re-ignition: as short as possible
Dimensions (L x W x H)	160 x 54 x 54/76 mm
Weight	ca. 1450g
Connectors	2 x M10 Screw-Terminals with nuts M10 for cable-shoes, 1 x M3 screw for counter wise polarity

REGULATORY SPECIFICATIONS

Safety	According to IEC (UL) 60950-1
RoHS	According to 2002/95/EC

For detailed information please contact ralf@rotec-gmbh.com or info@rotec-gmbh.com



Technical modifications and errors excepted.